

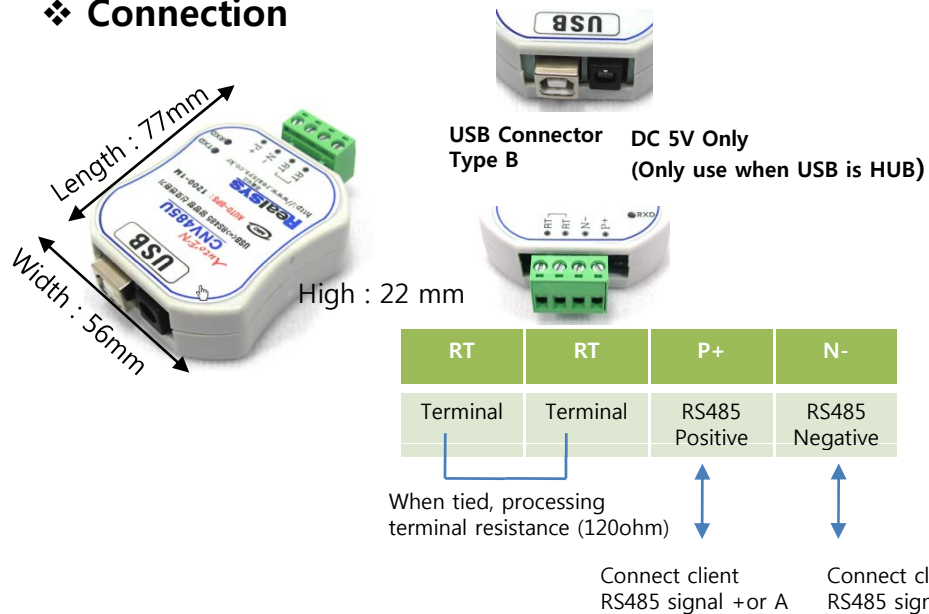
❖ **Intro.**

The CNV485U is a USB to RS485(2-wire) converter. This converter controls USB signal by virtual comport, and bi-direction. Also, because control TX-AUTO Enable, do not need control signal such as RTS or DTR. Power used USB power, special power does not need.

❖ **Features**

- USB virtual comport used.
- Support Driver OS : Windows NT, XP, 2000, 7 , Vista(32,64bit)
- Data bi-direction communication, no flow, auto-enable
- No external Power (USB power used)
- Built-in surge diode (600W)

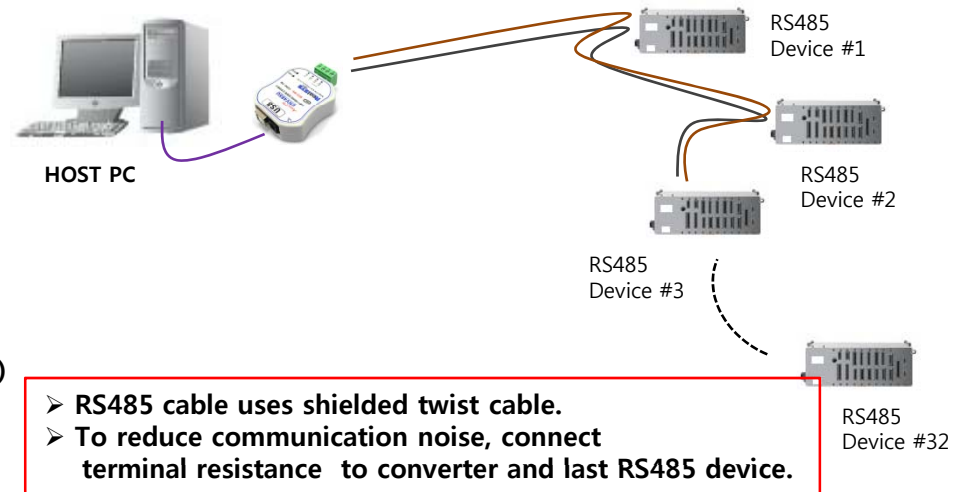
❖ **Connection**



❖ **Specification**

Baud rate	300 ~ 1M BPS
Current Consumption	Less than 70mA
RS485 Distance	Up to 4000ft (When 9600bps, 1.2km)
Multi Drop Max number	Up to 32 Drop
Surge Protection	600W
USB Conversion method	Virtual Comport
RS485 Conversion method	Only RS485 2wire

❖ **Application**



Technical Support : master@realsys.co.kr

All realsys product can be found on our website.
[http:// www.realsys.co.kr](http://www.realsys.co.kr)